

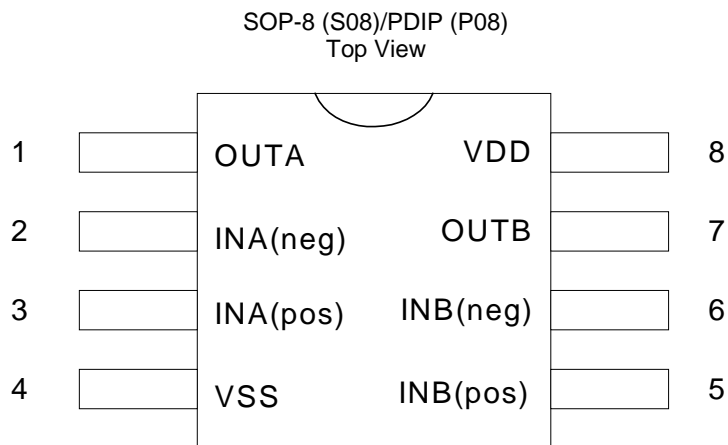
## GENERAL DESCRIPTION

The CM8608 is an integrated class AB stereo headphone driver contained in an SO8 or a DIP8 plastic package. The device is fabricated in a 1 mm CMOS process and has been primarily developed for portable digital audio applications.

## FEATURES

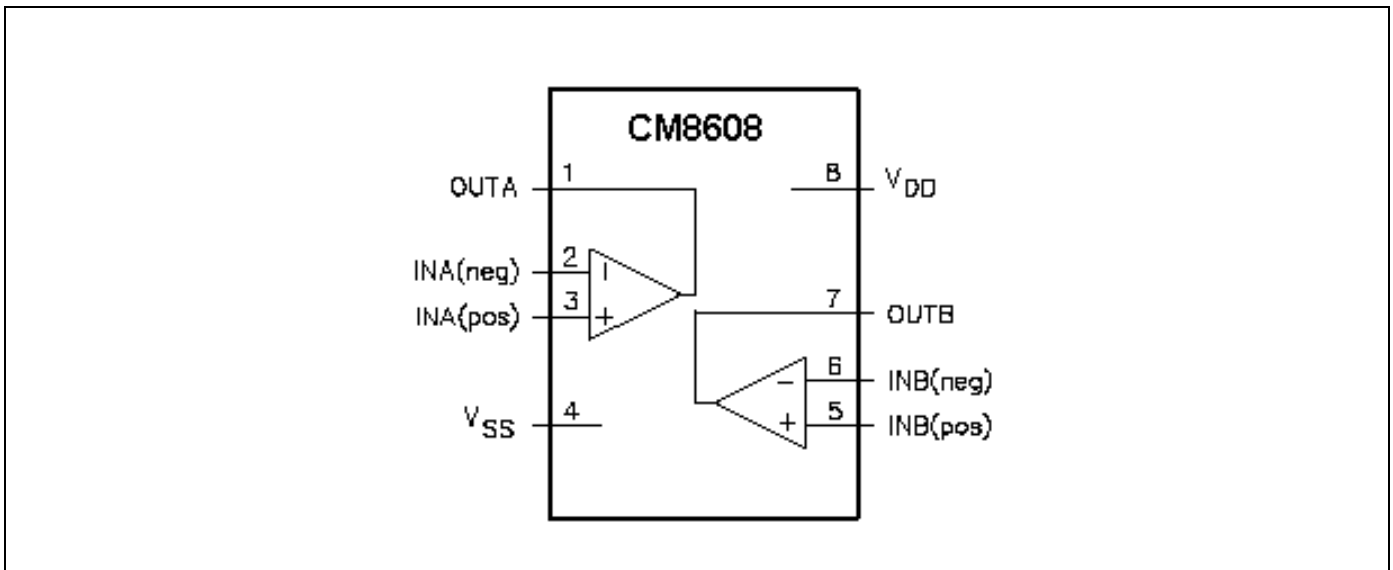
- ◆ Wide temperature range
- ◆ No switch ON/OFF clicks
- ◆ Excellent power supply ripple rejection.
- ◆ Low power consumption
- ◆ Short-circuit resistant
- ◆ High performance
  - ◇ high signal-to-noise ratio
  - ◇ high slew rate
  - ◇ low distortion
- ◆ Large output voltage swing

## PIN CONFIGURATION



## PIN DESCRIPTION

Pin No.	Symbol	Description
1	OUTA	Output A
2	INA(neg)	Inverting input A
3	INA(pos)	Non-inverting input A
4	VSS	Negative supply
5	INB(pos)	Non-inverting input B
6	INB(neg)	Inverting input B
7	OUTB	Output B
8	VDD	Positive supply

**BLOCK DIAGRAM**

**ORDERING INFORMATION**

Part Number	Temperature Range	Package
CM8608IP	-40°C to 85°C	8-Pin PDIP (P08)
CM8608IS	-40°C to 85°C	8-Pin SOP (S08)

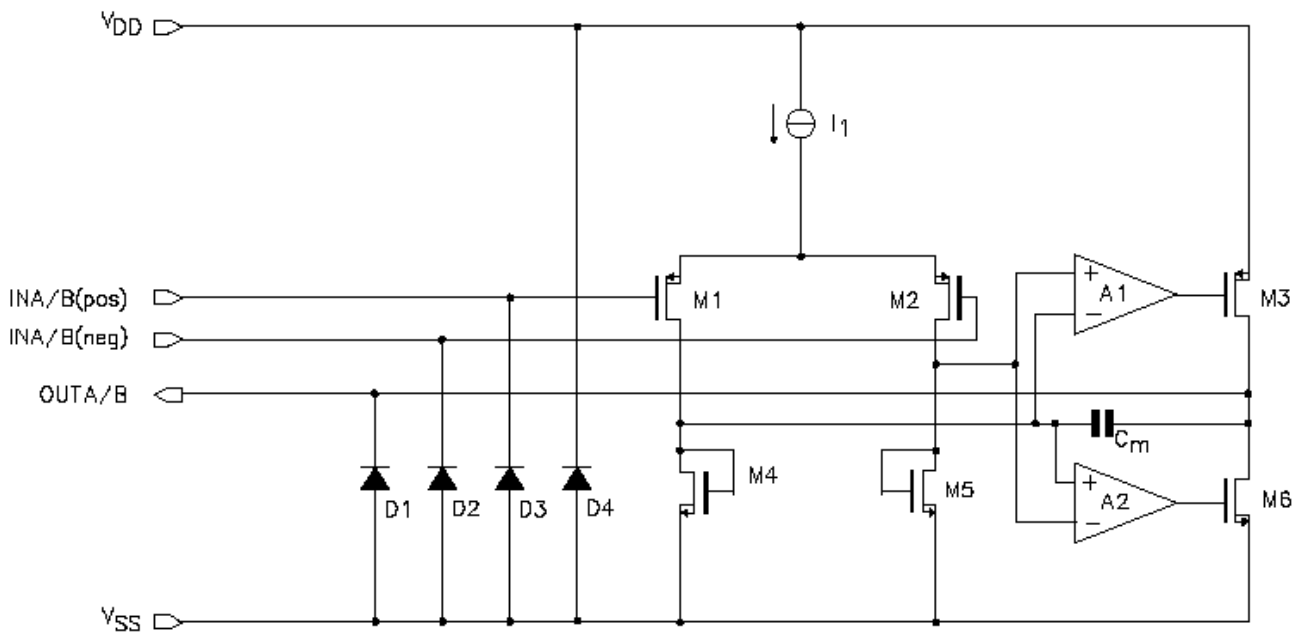
**ABSOLUTE MAXIMUM RATINGS**

Absolute Maximum ratings are those values beyond which the device could be permanently damaged.

SYMBOL	PARAMETER	CONDITIONS	MIN.	MAX.	UNIT
$V_{DD}$	supply voltage		0	8.0	V
$t_{SC(O)}$	output short-circuit duration	$T_{amb} = 25\text{ }^{\circ}\text{C}; P_{tot} = 1\text{ W}$	20	-	s
$T_{stg}$	storage temperature		-65	+150	$^{\circ}\text{C}$
$T_{amb}$	operating ambient temperature		-40	+85	$^{\circ}\text{C}$
$V_{esd}$	electrostatic discharge	note 1	-2000	+2000	V
		note 2	-200	+200	V

**THERMAL CHARACTERISTICS**

SYMBOL	PARAMETER	VALUE	UNIT
$R_{th\ j-a}$	thermal resistance from junction to ambient in free air		
	DIP8	109	K/W
	SO8	210	K/W

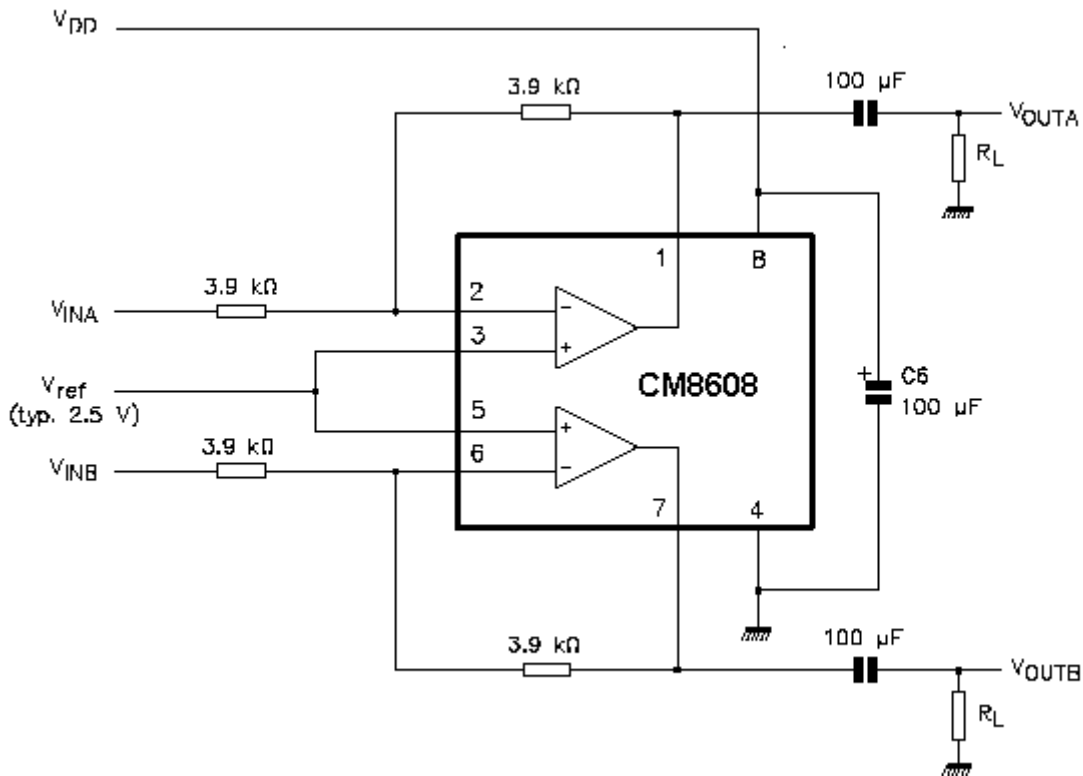
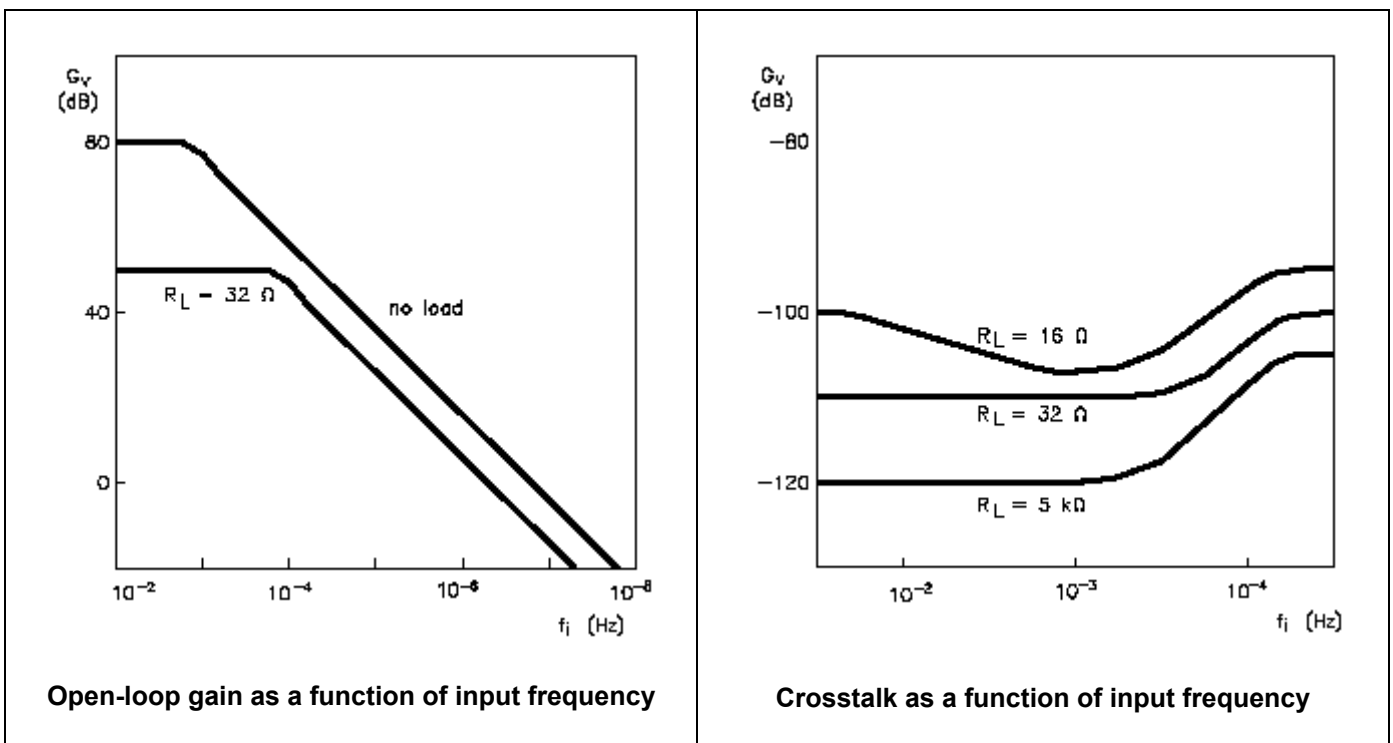
**TYPICAL APPLICATION**


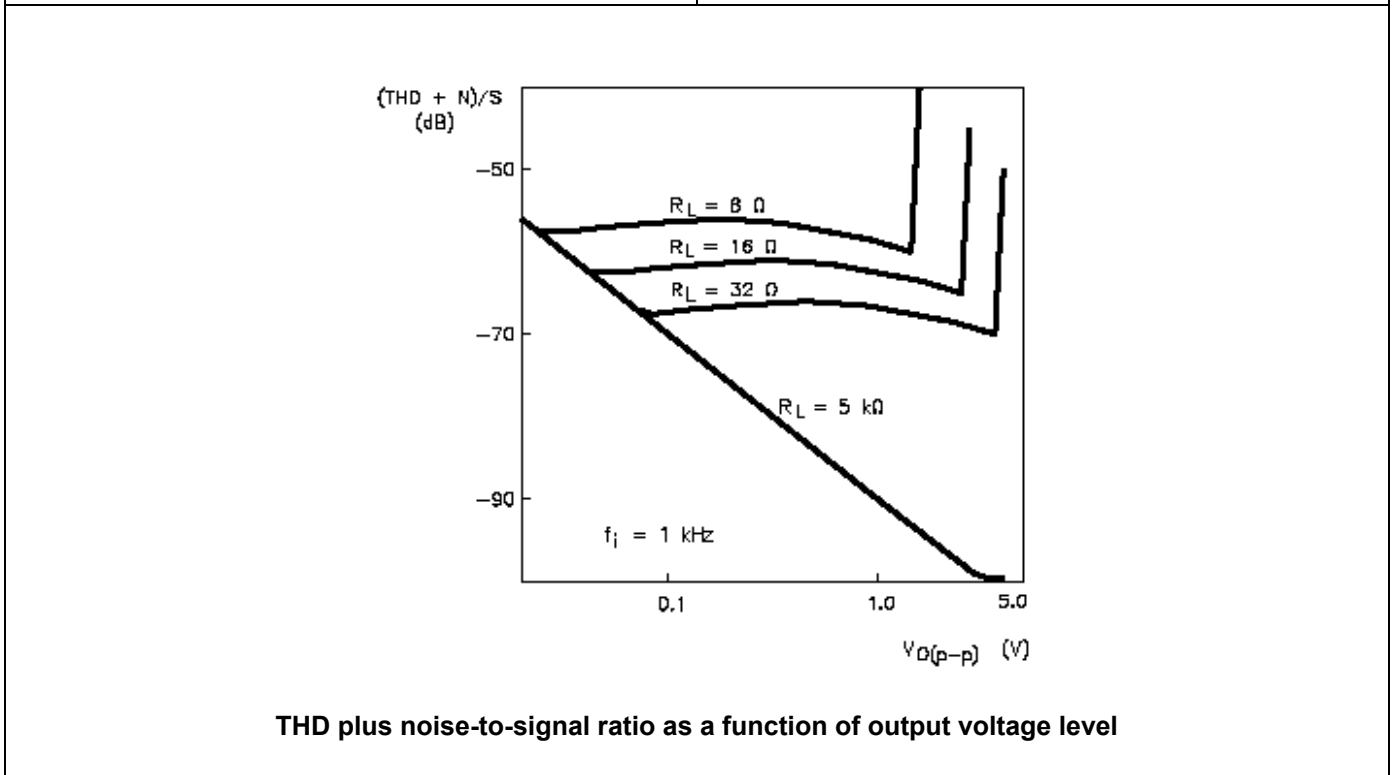
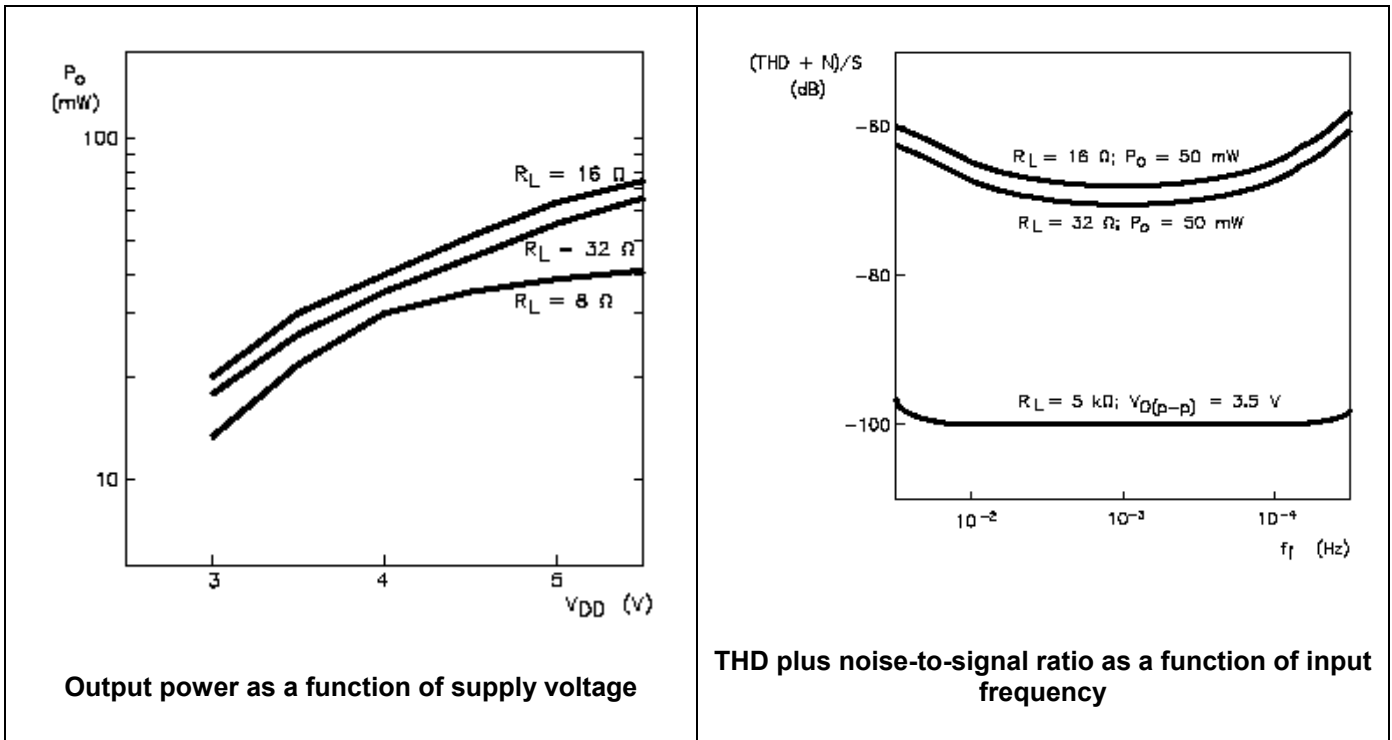
**ELECTRICAL CHARACTERISTICS** (Unless otherwise stated, these specifications apply  $T_A=25^{\circ}\text{C}$ ;  $V_{SS}=0\text{V}$ ,  $V_{DD}=+5\text{V}$ ,  $f_i = 1\text{kHz}$ ,  $R_L = 32\Omega$ ) maximum ratings are stress ratings only and functional device operation is not implied.

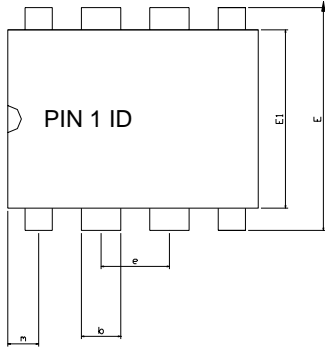
SYMBOL	PARAMETER	CONDITIONS	MIN.	TYP.	MAX.	UNIT
<b>Supplies</b>						
$V_{DD}$	supply voltage					
	single		3.0	5.0	7.0	V
	dual		1.5	2.5	3.5	V
$V_{SS}$	negative supply voltage		-1.5	-2.5	-3.5	V
$I_{DD}$	supply current	no load	-	3	5	mA
$P_{tot}$	total power dissipation	no load	-	15	25	mW
<b>DC characteristics</b>						
$V_{I(0s)}$	input offset voltage		-	10	-	mV
$I_{bias}$	input bias current		-	10	-	pA
$V_{CM}$	common mode voltage		0	-	3.5	V
$G_v$	open-loop voltage gain	$R_L = 5\text{ k}\Omega$	-	70	-	dB
$I_O$	maximum output current	$(\text{THD} + \text{N})/\text{S} < 0.1\%$	-	60	-	mA
$R_O$	output resistance		-	0.25	-	$\Omega$
$V_O$	output voltage swing	note 1	0.75	-	4.25	V
		$R_L = 16\ \Omega$ ; note 1	1.5	-	3.5	V
		$R_L = 5\ \text{k}\Omega$ ; note 1	0.1	-	4.9	V
PSRR	power supply rejection ratio	$f_i = 100\ \text{Hz}$ ; $V_{\text{ripple}(p-p)} = 100\ \text{mV}$	-	90	-	dB
$\alpha_{cs}$	channel separation		-	70	-	dB
		$R_L = 5\ \text{k}\Omega$	-	105	-	dB
$C_L$	load capacitance		-	-	200	pF
<b>AC characteristics</b>						
$(\text{THD} + \text{N})/\text{S}$	total harmonic distortion plus noise-to-signal ratio	note 2	-	-70	-65	dB
			-	0.03	0.06	%
		note 2; $R_L = 5\ \text{k}\Omega$	-	-101	-	dB
			-	0.0009	-	%
S/N	signal-to-noise ratio		100	110	-	dB
$f_G$	unity gain frequency	open-loop; $R_L = 5\ \text{k}\Omega$	-	5.5	-	MHz
$P_o$	maximum output power	$(\text{THD} + \text{N})/\text{S} < 0.1\%$	-	60	-	mW
$C_i$	input capacitance		-	3	-	pF
SR	slew rate	unity gain inverting	-	5	-	V/ $\mu\text{s}$
B	power bandwidth	unity gain inverting	-	20	-	kHz

**Notes**

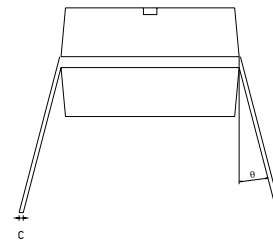
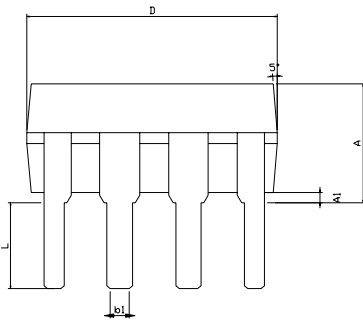
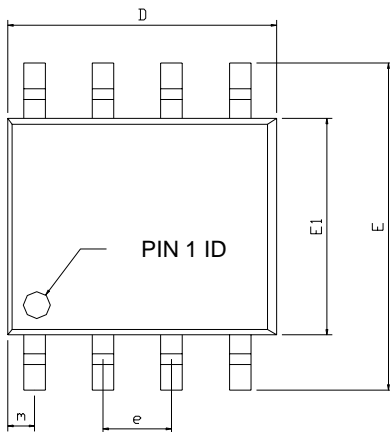
1. Values are proportional to  $V_{DD}$ ;  $(\text{THD} + \text{N})/\text{S} < 0.1\%$ .
2.  $V_{DD} = 5.0\ \text{V}$ ;  $V_{O(p-p)} = 3.5\ \text{V}$  (at 0 dB).

**TEST INFORMATION**

**TYPICAL CHARACTERISTICS**


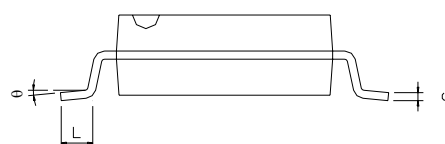
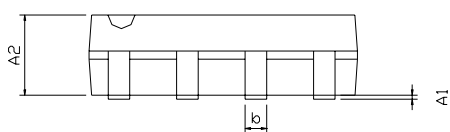


**PACKAGE DIMENSION**
**8-PIN PDIP (P08)**


SYMBOLS	DIMENSIONS IN MILLIMETERS			DIMENSIONS IN INCHS		
	MIN	NOM	MAX	MIN	NOM	MAX
A	---	---	4.32	---	---	0.170
A1	0.38	---	---	0.015	---	---
b	1.40	---	1.65	0.055	---	0.065
b1	0.40	---	0.56	0.016	---	0.022
C	0.20	---	0.31	0.008	---	0.012
D	9.27	---	9.77	0.365	---	0.385
E	7.49	---	8.26	0.295	---	0.325
E1	6.09	---	6.61	0.240	---	0.260
e	---	2.54	---	---	0.100	---
L	3.18	---	---	0.125	---	---
m	0.50	---	---	0.02	---	---
θ	0	---	15	0	---	15


**8-PIN SOP (S08)**


SYMBOLS	DIMENSIONS IN MILLIMETERS			DIMENSIONS IN INCHS		
	MIN	NOM	MAX	MIN	NOM	MAX
A1	0.10	---	0.25	0.004	---	0.010
A2	1.40	---	1.55	0.055	---	0.061
b	0.30	---	0.51	0.012	---	0.020
C	0.15	---	0.26	0.006	---	0.010
D	4.60	---	5.06	0.169	---	0.199
E	5.79	---	6.20	0.228	---	0.244
E1	3.76	---	4.01	0.148	---	0.158
e	---	1.27	---	---	0.050	---
L	0.38	---	0.69	0.015	---	0.035
m	0.43	---	0.69	0.017	---	0.027
θ	0°	---	8°	0°	---	8°



## IMPORTANT NOTICE

Champion Microelectronic Corporation (CMC) reserves the right to make changes to its products or to discontinue any integrated circuit product or service without notice, and advises its customers to obtain the latest version of relevant information to verify, before placing orders, that the information being relied on is current.

A few applications using integrated circuit products may involve potential risks of death, personal injury, or severe property or environmental damage. CMC integrated circuit products are not designed, intended, authorized, or warranted to be suitable for use in life-support applications, devices or systems or other critical applications. Use of CMC products in such applications is understood to be fully at the risk of the customer. In order to minimize risks associated with the customer's applications, the customer should provide adequate design and operating safeguards.

### **HsinChu Headquarter**

5F, No. 11, Park Avenue II,  
Science-Based Industrial Park,  
HsinChu City, Taiwan

TEL: +886-3-567 9979  
FAX: +886-3-567 9909  
<http://www.champion-micro.com>

### **Sales & Marketing**

11F, No. 306-3, Sec. 1, Ta Tung Rd.,  
Hsichih, Taipei Hsien 221  
Taiwan, R.O.C.

TEL: +886-2-8692 1591  
FAX: +886-2-8692 1596